

# HA15i

- 4 ft 11 in (1.50 m) operating width
- 25 ft 3 in (7.7 m) outreach
- 550 lb (250 kg) platform capacity
- 12 hrs operating autonomy
- Zero tailswing

## Articulating boom



**Haulotte**® 

# HA15i

## The Haulotte® advantages

- 10 ft 10 in (3.3 m) turning radius for improved manoeuvrability.
- 375 AH batteries provide powerful performance & increase cycle times.
- 6 ft 6 in (1.97 m) stowed height for easy travel through standard doorway.
- Efficient direct electric drive.
- Improved productivity through fast boom movement speeds.
- Robust, reliable and easy to maintain design.

## STANDARD FEATURES

- 43 ft (13,0 m) platform height
- 50 amp battery charger
- 3° tilt alarm
- 180° work platform rotation
- Solid tyres
- Simple uncomplicated operational controls
- Safe outside use in winds up to 28 mph (45 km/h)
- Work platform overload limiter increases safety
- Full proportional platform controls for all movements
- AC electric power outlet in platform
- Free wheeling device
- Traction batteries
- Hourmeter
- Battery charge indicator
- Slewing block pin
- Towing hooks / lifting eyes
- Emergency lowering system

## OPTIONS & ACCESSORIES

- Flashing light
- Working light
- Travel alarm
- Non marking tyres
- Airline to cage

# Haulotte®

THE HEIGHT OF QUALITY

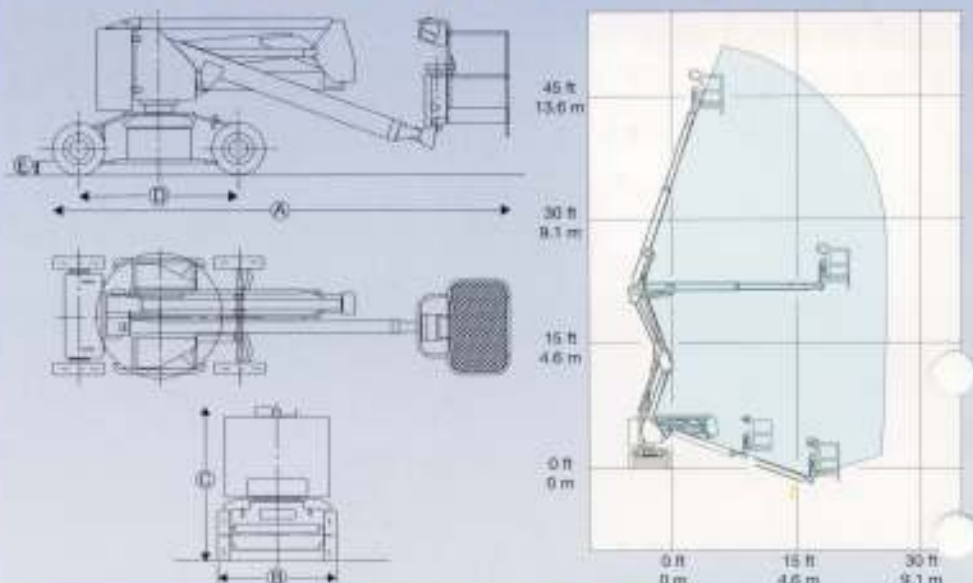
## Pinguely - Haulotte

Worldwide Headquarters

La Péronnière • B.P. 9  
42152 L'HORME • France  
Tel. +33 (0)4 77 29 24 24  
Fax +33 (0)4 77 29 43 95  
E-Mail: haulotte@haulotte.com  
Web: http://www.haulotte.com



## ARTICULATING BOOM



## SPECIFICATIONS

Working Height	49'	15.0 m
Platform Height	43'	13.0 m
Horizontal Reach	25' 3"	7.7 m
Up and Over Clearance	21' 4"	6.5 m
Platform Capacity	550	250 kg
A) Length	18' 8"	5.77 m
B) Width	4' 11"	1.50 m
C) Stowed Height	6' 6"	1.97 m
D) Wheelbase	6' 7"	2.00 m
E) Ground clearance	5"	13 cm
Platform size	47" x 30"	1.2 m x 0,76 m
Tailswing	0	0
Drive speed	0.9 / 3.1 mph	1.5 / 5.0 km/h
Outside turning radius	10' 10"	3.30 m
Turntable Rotation (non continuous)	360°	360°
Platform Rotation	180°	180°
Power source	48 V (375 AH batteries)	
Gradeability	25%	
Tyres (Solid)	700 x 12	700 x 12
Weight	14.520 lb	6.600 kg

Distributed by :